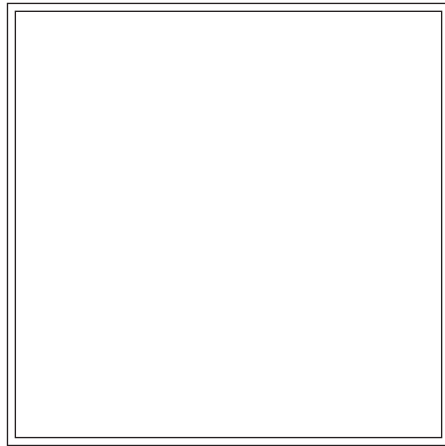


Audo

COPENHAGEN

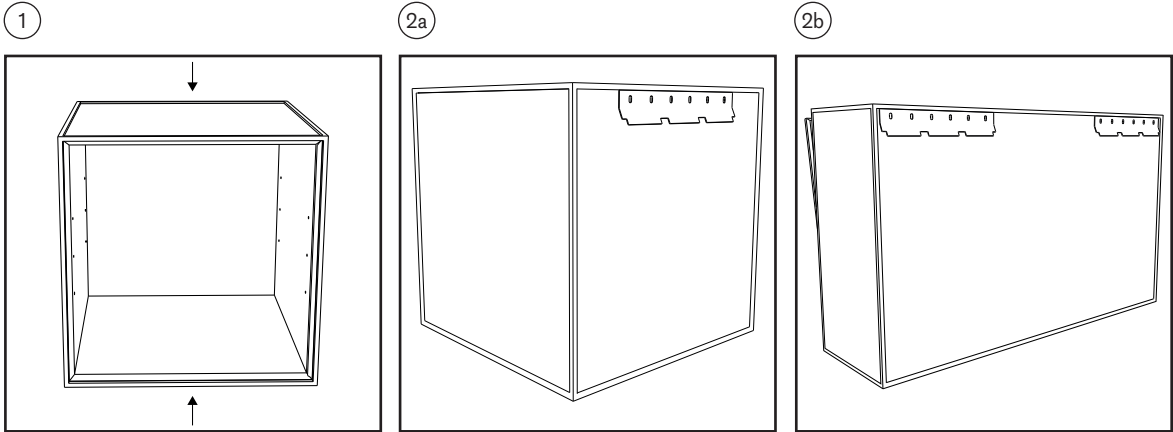


FRAME

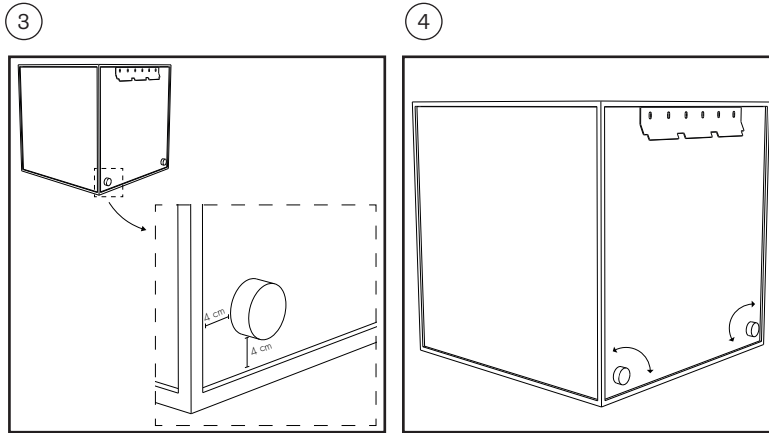
Designed by *Mogens Lassen*

MOUNTING ON WALL

TOOL LIST: Drill, tape measure, spirit level, pencil, awl, 6 mm drill bit and the enclosed PZ-1 bits.

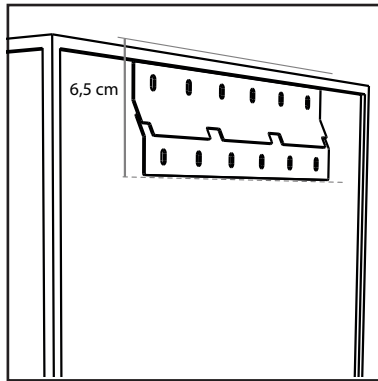


1. Determine the top and bottom of the module. The module is placed correctly when the pre-punched holes are in the sides of the module and not in the top and bottom. In case you want to retrofit a shelf or door later on (see page 27 and 28) use the pre-punched holes in the sides of the module. For modules with a door, make sure that the door is hinged on the side you prefer.
2. Push the suspension bracket up towards the top edge of the back of the module so the screw holes are closest to the edge.
 - a. For Frame 28, Frame 35, Frame 42 and Frame 70, the suspension bracket must be centered (same distance from each side).
 - b. Frame 49 and the Frame Shoe cabinet require the installation of two suspension brackets mounted all the way out to each side to form space between the two brackets.

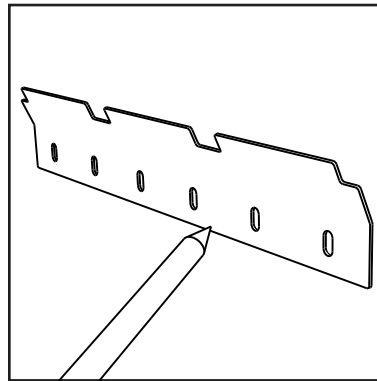


3. Mount adjustable feet in the two bottom corners on the back of the module about 4 cm from the bottom and side of the module. Remove the protective backing and adhere the adjustable feet to the module.
4. Adjust the adjustable feet by rotating the metal part.

5

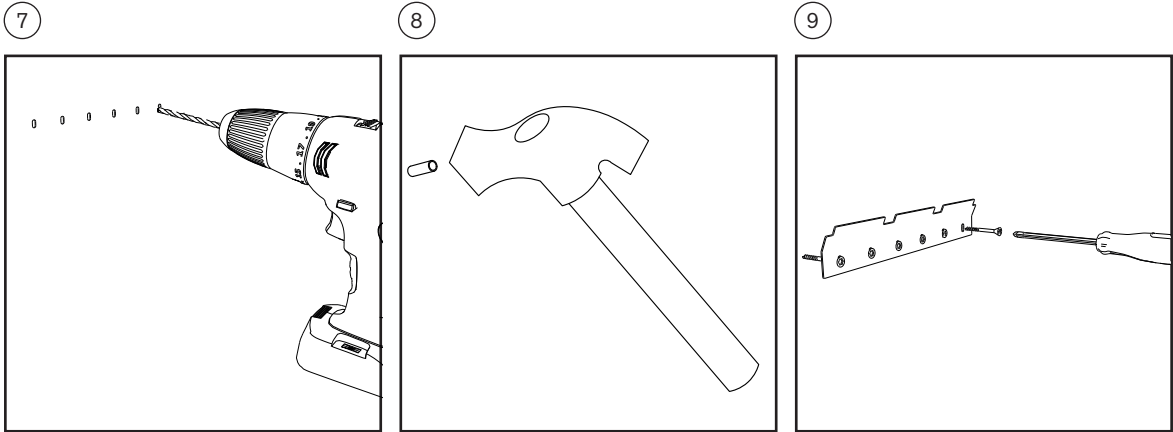


6



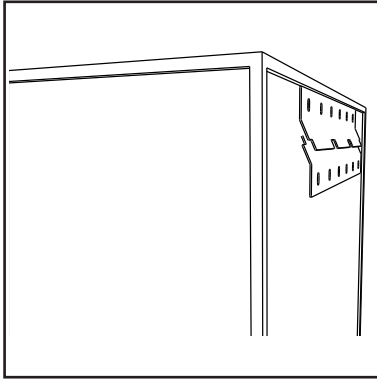
5. Hold the module against the wall in the desired height. To mount the module precisely, measure 6,5 cm down from the top edge of the module, and draw a line that must be horizontally level. This line marks the height of the bottom of the suspension bracket.
6. Mark the holes for the suspension bracket on the wall. Remember to turn the suspension bracket correctly so the holes are at the bottom and the suspension bracket is at the top

For mounting on a brick or concrete wall, use the enclosed rawplugs and screws.
For other wall types, use suitable rawplugs and screws.

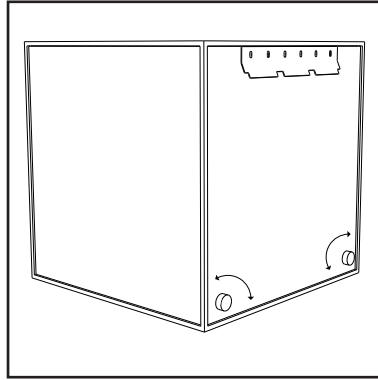


7. Drill the holes using a 6 mm drill bit suitable for the wall type.
8. Then gently hammer the enclosed or suitable rawplugs into the wall.
9. Mount the suspension bracket using the long screws or suitable screws, depending on the type of wall. Make sure to use all the screws! The oval holes in the suspension bracket make it possible to adjust the suspension bracket upwards and downwards.

10



11

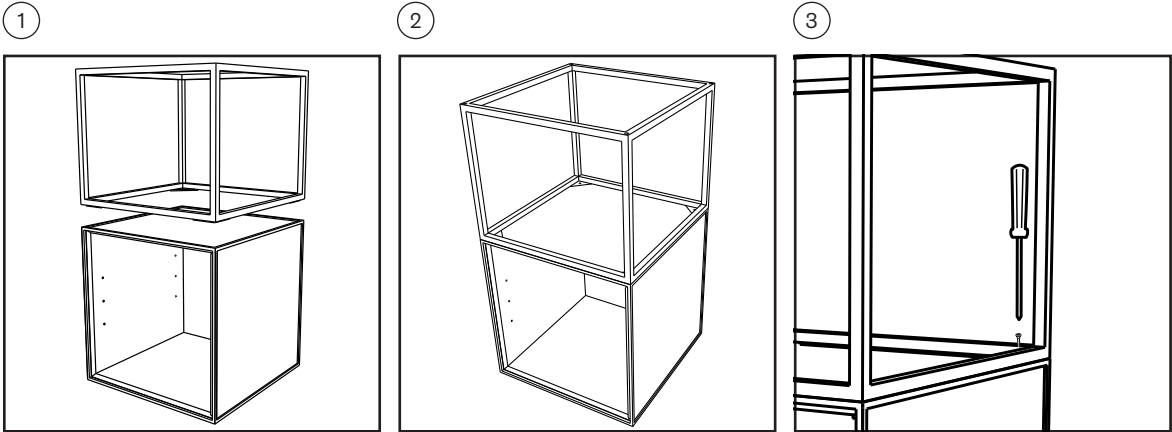


10. Mount the module on the suspension bracket on the wall

11. If the wall is uneven, adjust the module by rotating the adjustable feet on the back of the module until it is level.

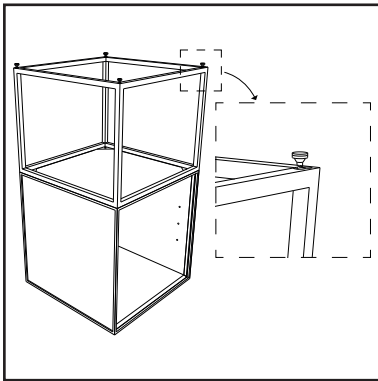
MOUNTING ON BASE

TOOL LIST: Drill, tape measure, spirit level, pencil, awl, 6 mm drill bit and the enclosed PZ-1 bits

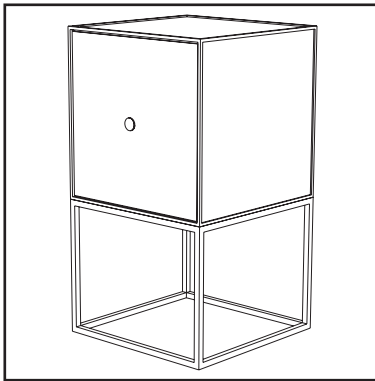


1. Determine the top and bottom of the module. The module is placed correctly when the pre-punched holes are in the sides of the module and not in the top and bottom. In case you want to retrofit a shelf or door later on (see page 27 and 28) use the pre-punched holes in the sides of the module. For modules with a door, make sure that the door is hinged on the side you prefer.
2. 'Lock' the base to the bottom of the module by clicking the 4 triangles into the bottom frame of the module.
3. Use the enclosed screws to screw the base firmly to the bottom of the module.

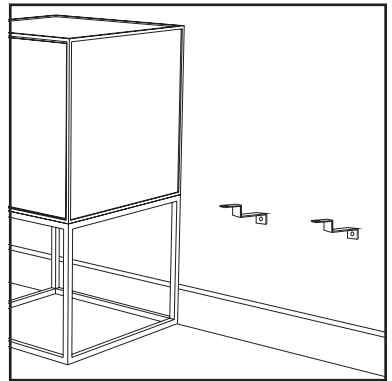
4



5

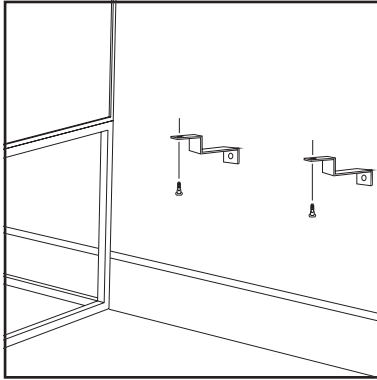


6

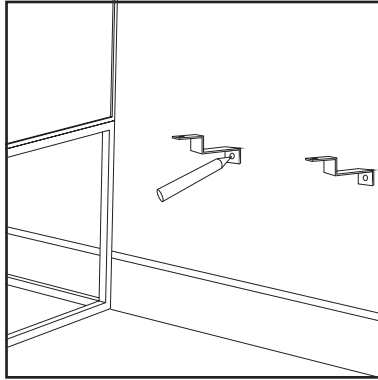


4. Mount four adjustable feet onto the base by screwing them into the threaded holes in the bottom of the base.
5. Turn the module around so that the base is standing on the floor and place the module next to the wall preferred.
6. Insert the anti-tip bracket up under the cabinet until it touches both the underside of the module and the wall at the same time.

7



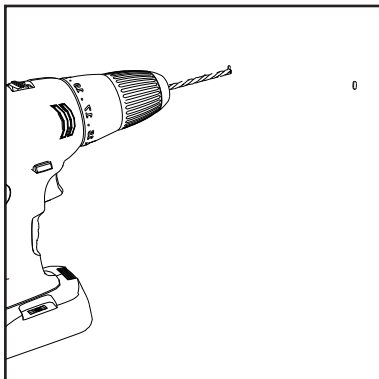
8



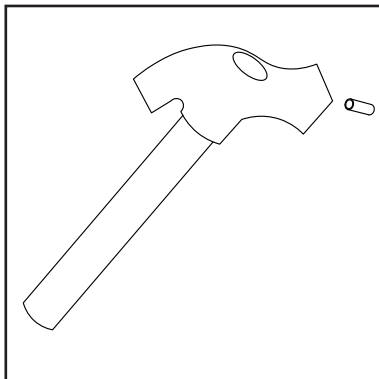
7. Attach the anti-tip bracket to the module using the small screws enclosed.
8. Make a mark on the wall where the anti-tip bracket must be mounted, and then move the module away from the wall so you can drill a hole in the wall.

For mounting on a brick or concrete wall, use the enclosed rawplugs and screws.
For other wall types, use suitable rawplugs and screws of your choosing.

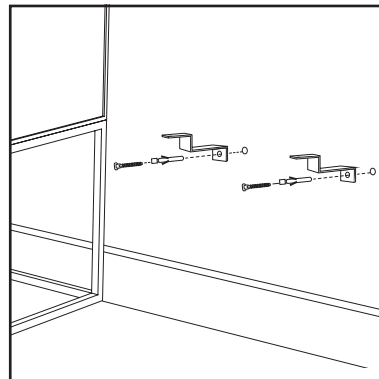
9



10

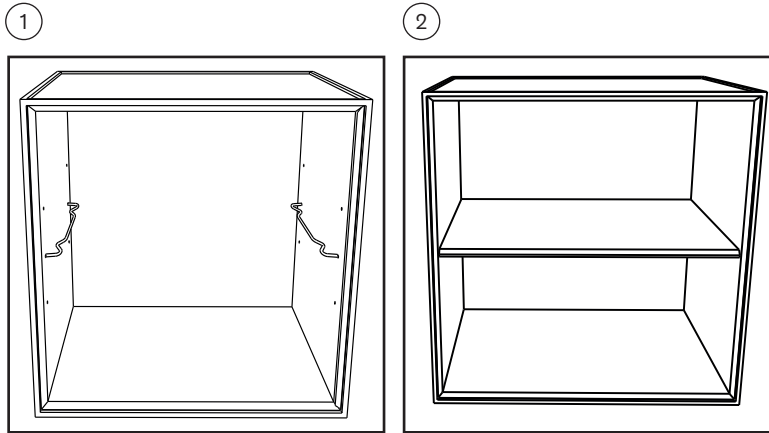


11



9. Drill the holes using a 6 mm drill bit suitable for the wall type.
10. Then gently hammer the enclosed or suitable rawplugs into the wall.
11. Move the module back against the wall and fasten the anti-tip bracket to the wall using the long screws or suitable screws.

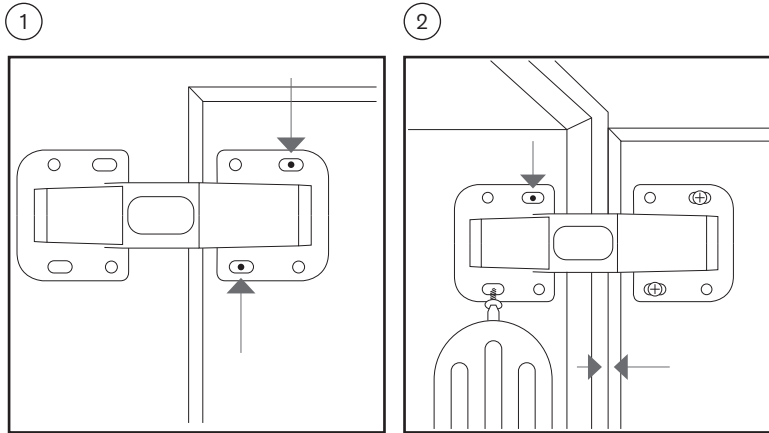
ASSEMBLY OF SHELVES



1. Insert the shelf support bracket into the holes that fit your preferred position for the shelf in the module.
2. Slide the shelf onto the shelf support bracket so the shelf conceals the shelf support bracket.

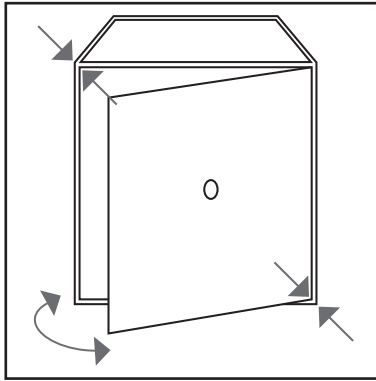
ASSEMBLY OF DOORS

TOOL LIST: Screwdriver /drill

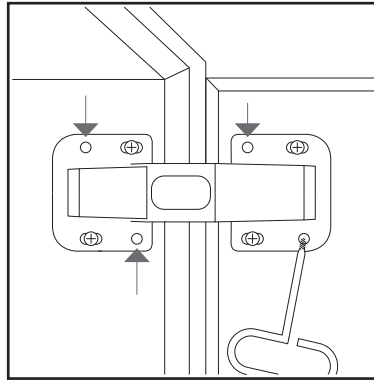


1. Attach the hinges to the door in the two pre-punched holes.
2. Then push the door all the way to the edge of the module and screw the hinge into the pre-punched holes in the module.

3



4

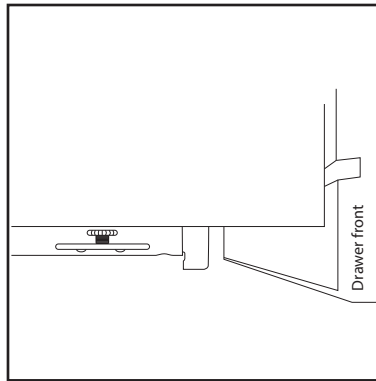


3. Once the hinge is fastened to all pre-punched holes, mount the module to wall or base. Then test the door by closing and opening it to make sure it does not bump into the edge. If the door does bump into the edge, slightly loosen the screws on the door, lift and lower it, tighten the screws in the pre-punched holes and test it again. Make sure to keep the door pushed all the way in to the edge of the module when tightening the screws.
4. Once the door is adjusted correctly, lay the module down again and open the door. Use an awl to puncture the last hinge holes, then screw in the remaining screws to firmly attach the hinge. If the door sticks, repeat point 4. – If the door bumps into the edge, slightly loosen the screws on the door, lift and lower it, tighten the screws in the pre-punched holes and test it again. Make sure to keep the door pushed all the way in to the edge of the module when tightening the screws.

ADJUSTMENT OF DRAWER FRONTS

Drawers are pre-mounted from the factory,
but if they need to be adjusted, follow these instructions:

①



1. Adjust the front of the drawer by rotating the levelling screw, placed under each side of the drawer right behind the front of the drawer.

MAXIMUM LOAD

TYPE	MAX LOAD TOTAL ON WALL/BASE	MAX LOAD TOTAL ON BASE	MAX LOAD PR. DRAWER ON WALL	MAX LOAD PR. DRAWER ON BASE
F28 - no drawer	30 kg.			
F35 - no drawer	30 kg.	30 kg.		
F42 - no drawer	30 kg.			
F49 - no drawer	30 kg.	30 kg.		
F70 - no drawer	30 kg.	30 kg.		
F35 - 1 drawer	21 kg.	21 kg.	7 kg.	7 kg.
F35 - 2 drawers	21 kg.	21 kg.	7 kg.	7 kg.
F49 - 1 drawer	21 kg.	21 kg.	7 kg.	7 kg.
F49 - 2 drawers	21 kg.	21 kg.	7 kg.	7 kg.
F70 - 2 drawers	21 kg.	21 kg.	7 kg.	7 kg.

