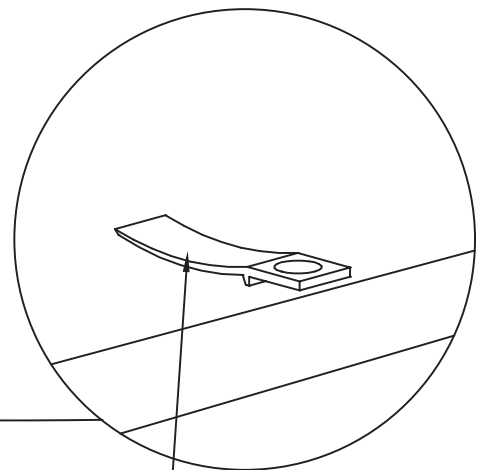
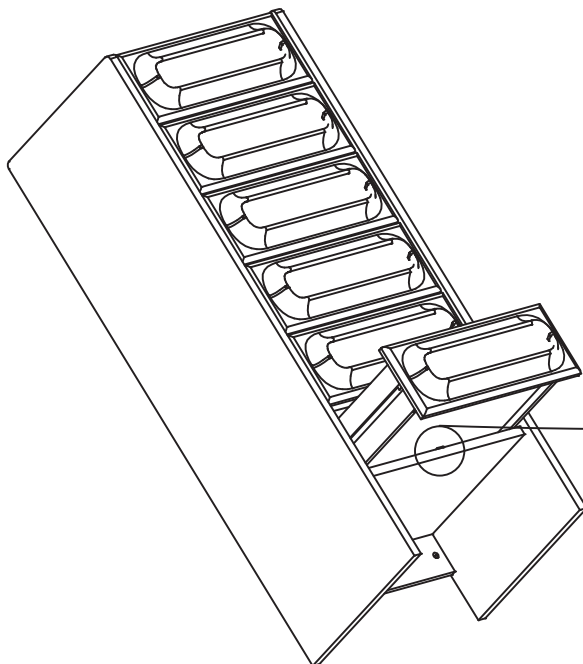
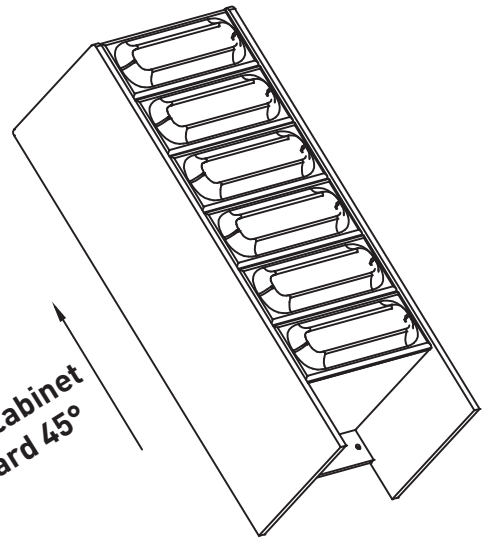


Tilt the cabinet
backward 45°



Lift the stopper
underneath of the drawer