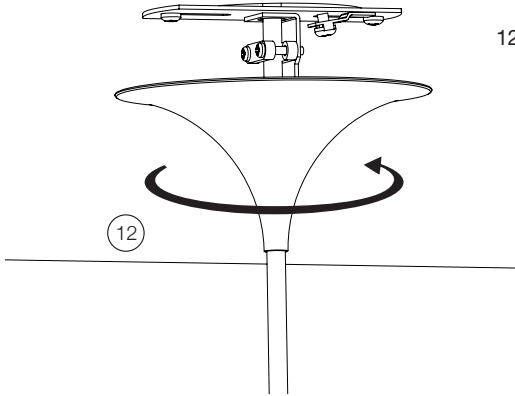


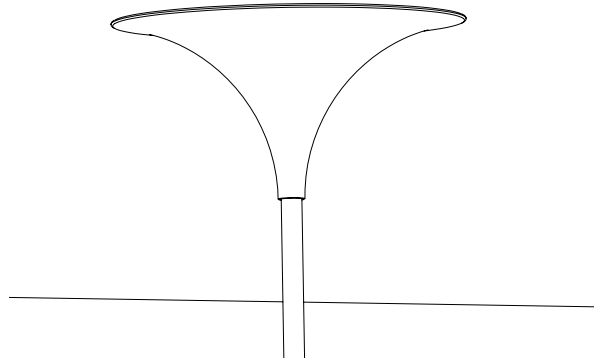
Step 6

12 Attach the canopy by screwing it on the ceiling bracket.



Step 7

13 Place light bulb in lamp and turn the power on.



BULB REPLACEMENT

- Disconnect the power before replacing bulb.

TROUBLESHOOTING

- If lamp does not light, turn off the power. Check the bulb for a broken filament. Replace bulb if necessary, then turn it on.
- If the lamp still does not light, please contact customer service at the local dealer.
- If the external flexible cable or cord of this lamp is damaged, it must be replaced by a qualified electrician in order to avoid a hazard.

GUBI A/S

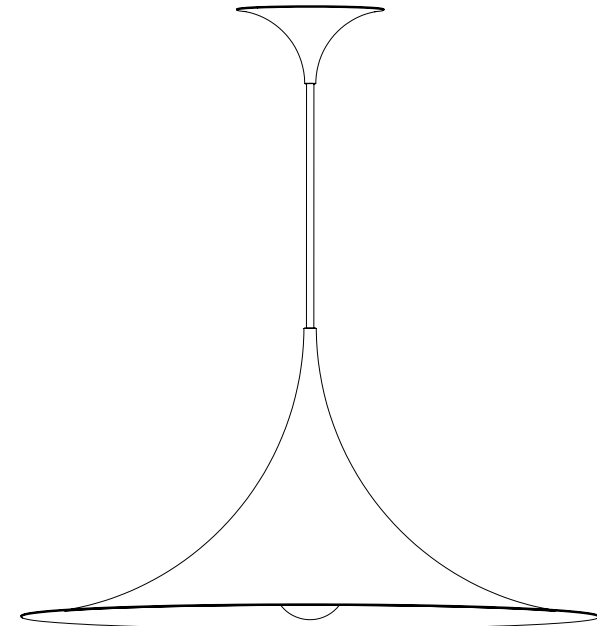
Klubiensvej 7-9 / Pakhus 53
2150 Nordhavn, Copenhagen
Denmark

T: +45 3332 6368
CVR: 17940384
WWW.GUBI.DK

GUBI



Semi



Technical information:

Light sources: Silver crown reflector bulb/half mirror bulb. Semi diameter 30, E14 max. 40W / diameter 47 and 60, E27, max. 60W.

Turn power off when changing light bulb.

Isolation class II.

The lamp is not approved for outdoor use or use in damp/wet rooms (IP20).

Some advice on cleaning your Semi lamp:

Wipe the parts with a damp cloth soaked in warm water and a bit of mild detergent.

Use only soft cloth for wiping and polishing, never sponges or steel wool.

Do not use abrasive household cleaners.

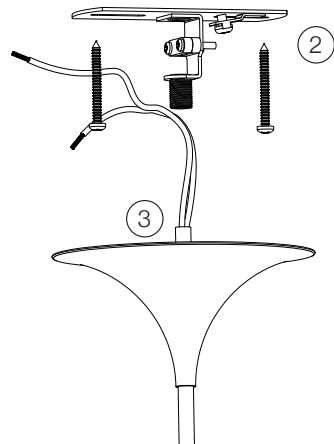
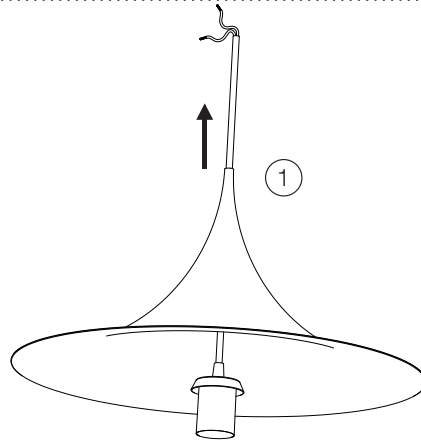
Do not use acidic or alkaline cleaning materials, glass cleaner or household ammonia.

Step 1

- 1 Put the cable through the lamp shade.

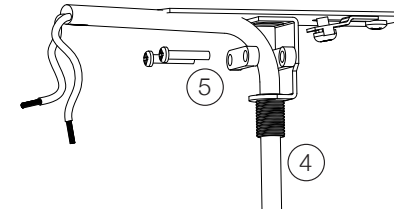
When mounting directly on the ceiling continue to step 2.

If mounting on top of a ceiling box continue to step 5.



Step 2

- 2 Attach ceiling bracket with screws.
- 3 Pull cable through canopy shade.

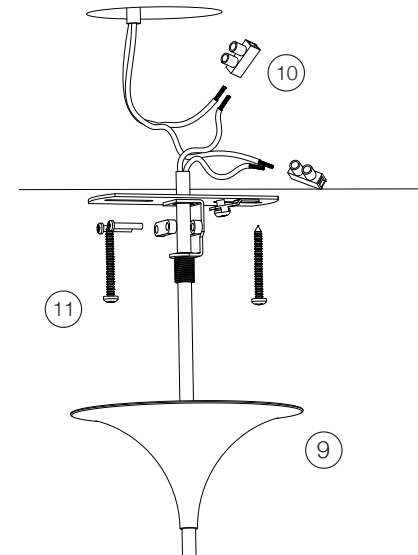
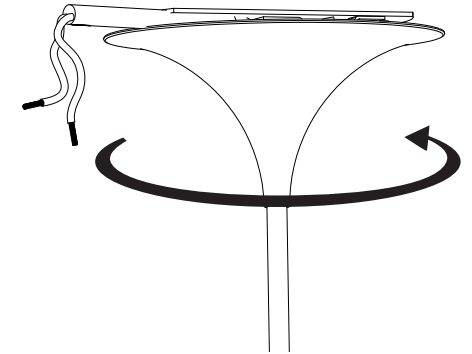


Step 3

- 4 Find the desired length of cable and cut off the outer isolation.
- 5 Mount the cable in the cable clamp.

Step 4

- 6 Attach the canopy by screwing it on the ceiling bracket.
- 7 Connect lamp cable to the supply wires.
- 8 Place light bulb in lamp and turn the power on.



Step 5

- 9 Pull cable through canopy shade, find the desired length of cable and cut off the outer isolation.
- 10 Connect lamp cable to the supply wires.
- 11 Attach ceiling bracket with screws.