

LED₈

LED₈

LED₈ is an ideal lamp for any modern interior, from offices and homes to hotels and lounge environments. It is especially functional as a desk lamp, providing superb lighting for working purposes.

LED₈ is available with the groundbreaking Qi Wireless Charging technology, which enables the lamp's surface to be used for charging mobile devices wirelessly.

o.s.p.a.



The height of the LED₈ makes it a perfect work lamp, allowing it to be used with even the largest computer displays. LED₈ utilizes the famous Tunto touch-sensitive switch technology, offering a true feel of the wood and finishing.

Available in walnut, oak, birch, black and white.

Other Tunto colours are also available with large orders and projects.

Oak
Birch
Walnut

Black
White

Projects:

Purple
Red
Orange
Pink
Yellow
Green
Turquoise
Blue
Brown



LED₈

COLOURS AND MATERIALS



LED₈ combines Tunto's renowned design and functional lighting with state-of-the-art technical innovativity: the lamp is available with the revolutionary Qi Wireless Charging technology, which enables the lamp's surface to be used for charging mobile devices wirelessly.

Qi Wireless Charging is capable of charging various kinds of handheld devices, such as mobile phones, tablets and MP3 players, without attaching any power cables to the device.

LED₈
QI WIRELESS CHARGING



tunto

The use of the wire-free charging depends on the mobile device: certain devices are Qi-compatible without any external adaptors, others require a specific Qi Ring or a charger case attached to the device.

Place your device on the lamp's wireless charging spot, and it starts to charge automatically.

LED₈
QI WIRELESS CHARGING



o.h.o.m.a.

SIZE 560 x 570 x 180 mm
WEIGHT 1,4 kg
THICKNESS 9 mm

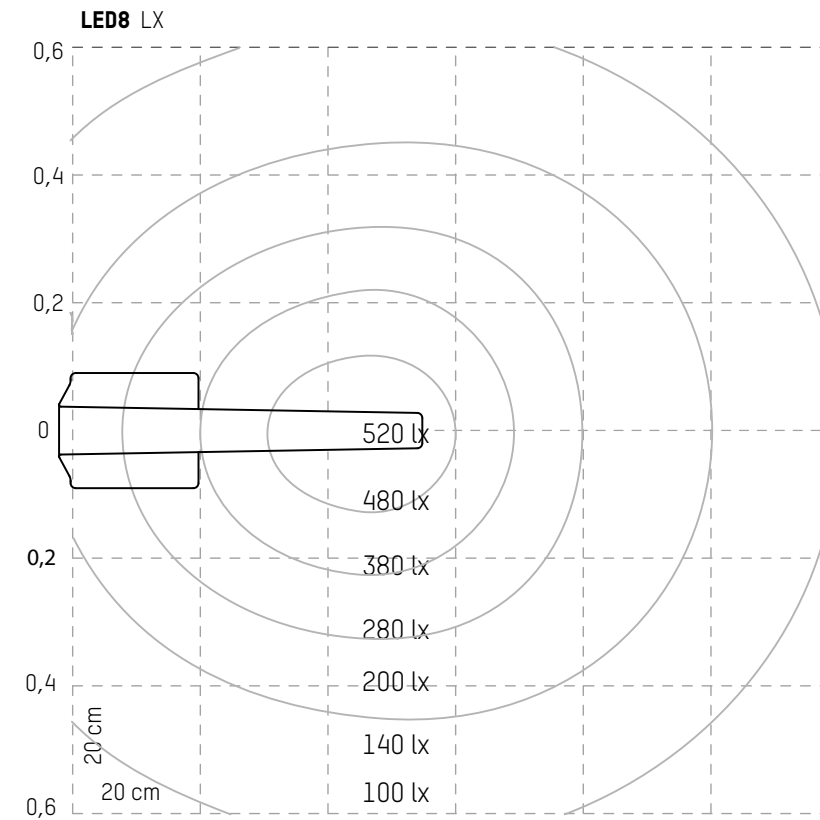
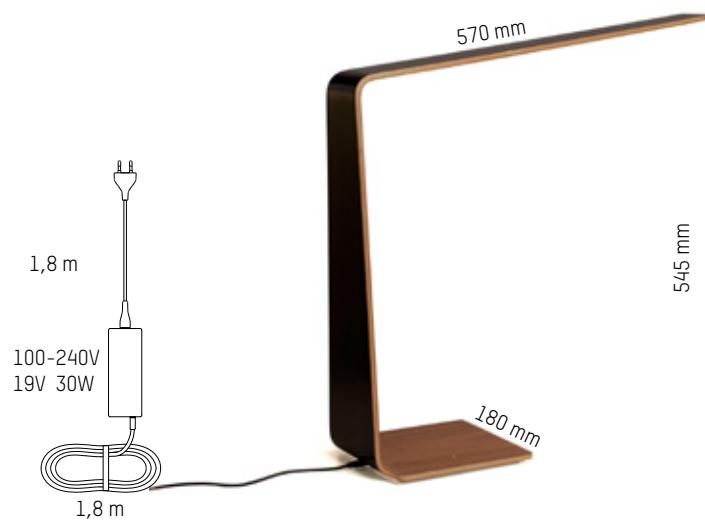
POWER USE 30 W
VOLTAGE 100-240V 50/60Hz
OUTPUT 19 V
CORD LENGTH 1,8 m
POWER SUPPLY Phihong
SUITABLE EURO, UK, USA / Japan

KELVIN 3000 K
LUMEN 700 lm
CRI 95

QI RING micro USB ring , iRing
OPERATING MODE Qi 1.0 standard

LED₈

TECHNICAL SPECIFICATIONS



PACKAGE SIZE 680 x 680 x 220 mm
PACKAGE WEIGHT 3,5 kg
AVAILABLE MATERIALS Oak, walnut and birch
SURFACE FINISH Lacquer

INDOOR USE ONLY

09/2013

TUNTO CREATES DESIGN THAT MAKES A DIFFERENCE.

Our products are handmade with love at our own workshop in Järvenpää, Finland.

TUNTO

TEL.: +358 10 421 3000 | MAIL@TUNTO.COM | WWW.TUNTO.COM